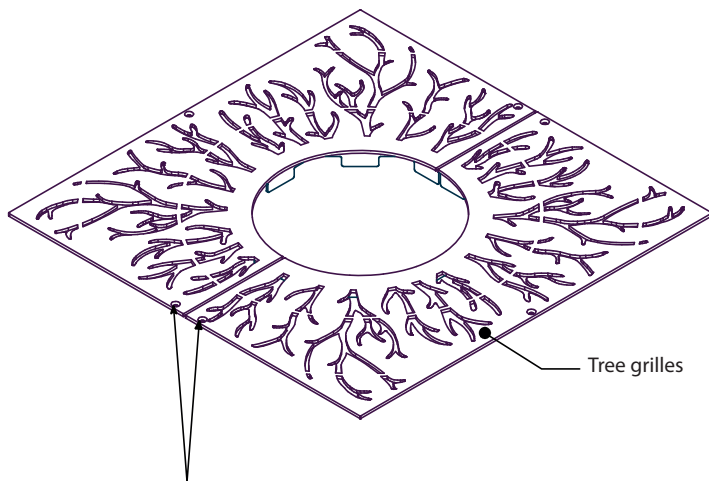
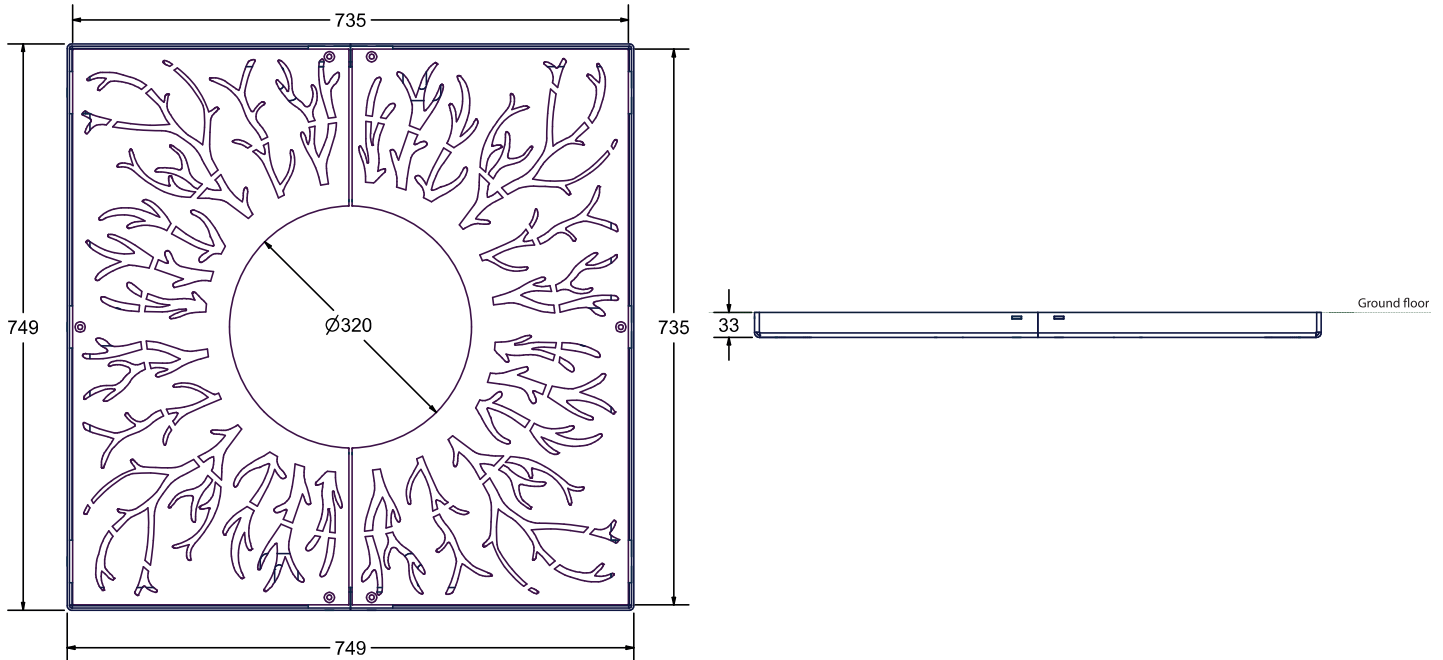


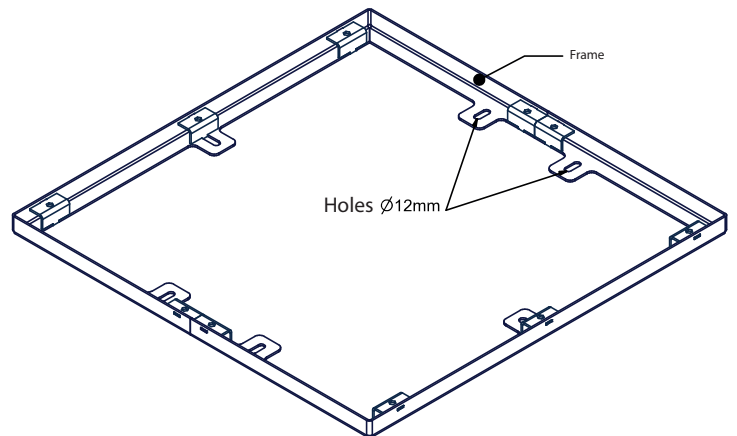
**Max Dimensions:**

Length and depth of the tree grille: 735x735 mm | Length and depth of the frame: 749x749 mm

Inner Diameter: 320 mm | Th. with frame: 33 mm | Weight: 20 kg



Fixing of the tree grille to the frame  
with countersunk screws M6

**Description**

The tree grilles LAB SP are made in steel. Different laser-cut patterns and dimensions are available. The smaller tree grilles, LAB SP. 735Mm, are made of 4 elements: two shaping the grille and two shaping the perimetral frame. The grilles LAB SP. 990Mm are made of 6 elements: the upper grille is divided into 4 parts and the frame into 2 parts. The bigger grilles LAB SP are made of 8 elements: both the upper grille and the frame are divided into 4 parts. The upper part of the grilles is the result of laser-cut steel sheets (50/10 thickness), whereas the frame is made in steel sheet of 30/10 thickness. If present, the frame is fixed to the ground through specific bolts (not provided) to be inserted on elements 12x18 mm. The tree grilles are fixed to the ground (or to the frame if present) through specific countersunk holes M6.