
LAB23

WALL

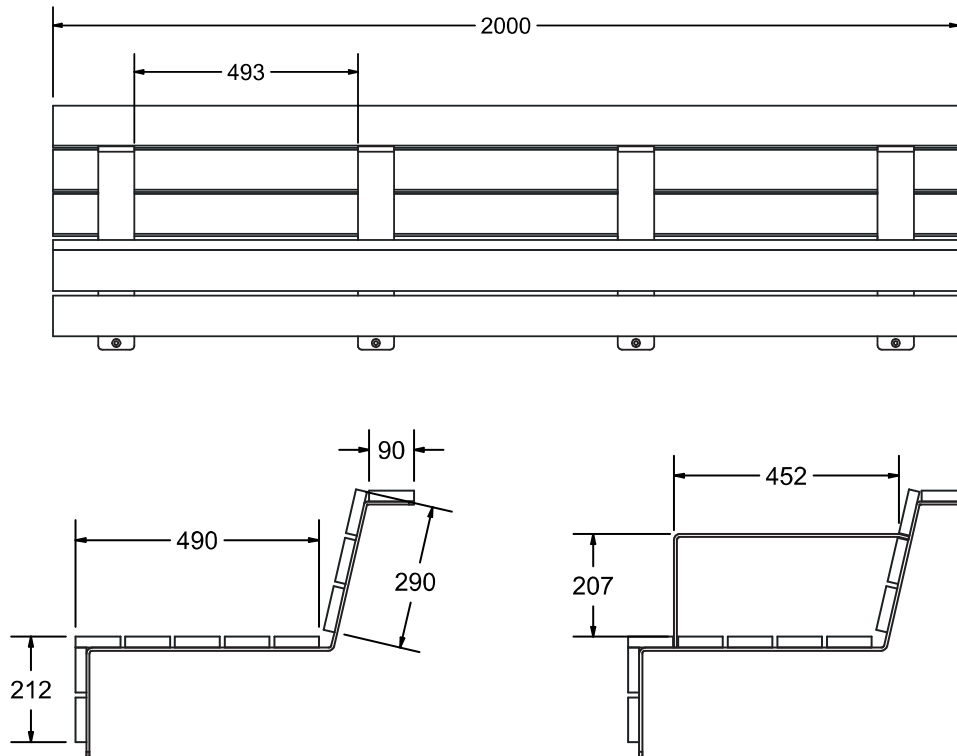
Bench



Max Dimensions:

Height backrest: 290 mm | Length: 2000 mm | Width seat: 490 mm

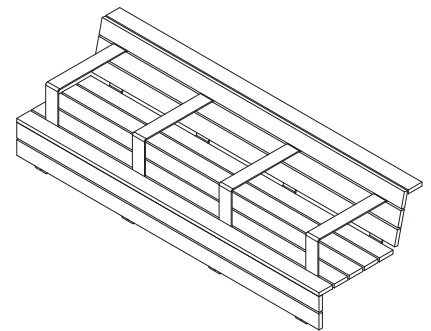
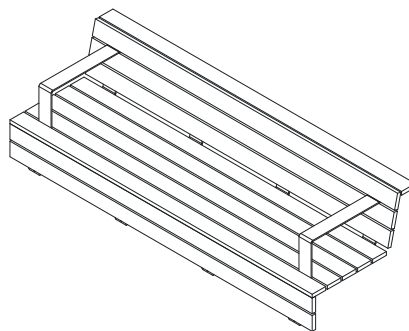
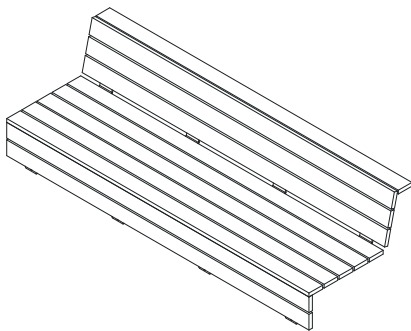
Armrest: 452x207 mm | Weight: 50 kg



WITHOUT ARMREST

WITH 2 ARMRESTS

WITH 4 ARMRESTS

**Description:**

The Wall bench is made of 4 load-bearing elements made in steel sheet (60/10 thickness), on which slats in wood or WPC, with section 90x22mm and length 2000mm shaping the seat and the backrest, are fixed. On each one of these elements, an armrest in steel sheet can be added. The number of armrests can therefore vary, from 1 to 4 armrests. For the fixing to the low wall (already present), there are 8 countersunk holes, 8,4 mm diam. For the use of specific bolts (not provided).

The wood used is either Iroko or Okume, treated with natural, water-repellent, UV ray resistant oils.

WPC (Wood Plastic Composite) is made of 70% recycled wood and 30% recycled plastic.

WALL | Bench

